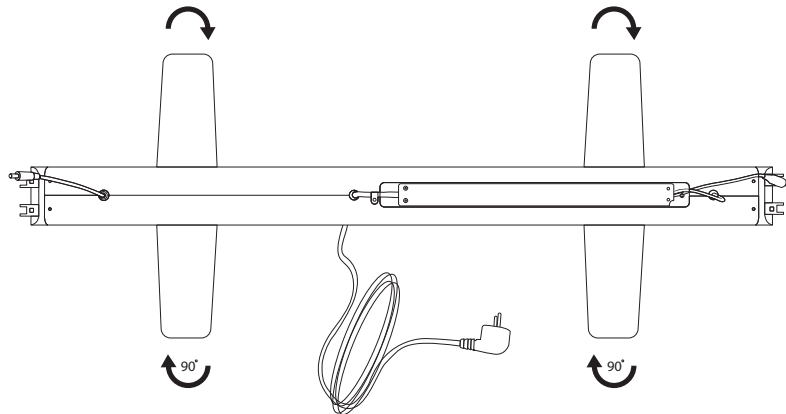


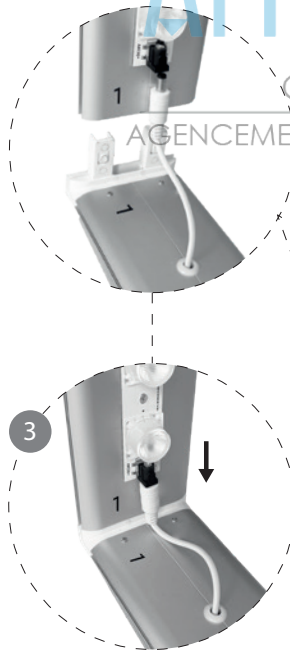
ZEN BACKLIGHT DOUBLE EASY

INSTALLATION GUIDE

1



2 CONNECT THE CABLE



4

COMMUNICATION VISUELLE
AGENCEMENT VITRINES / PORTE-AFFICHES LUMINEUX LED

