

Lecturn is a stylish presenter unit from MDF with high quality finish thermoformed laminated tops.



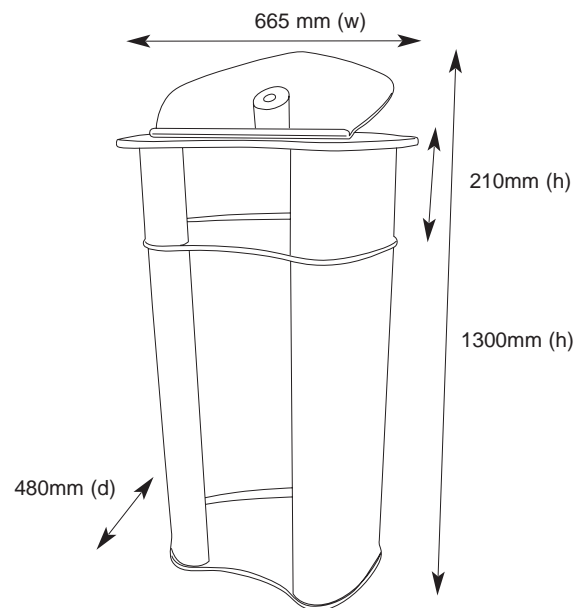
features & benefits

- Constructed from composite materials and flexible MDF tambour
- Flat packed, easy to transport and quick to assemble
- Allen keys supplied
- Tops are available in Birch, Black or Silver thermoformed finishes
- Choice of Luxury Foam Backed Loop Nylon, Front Runner or Prelude fabric wrap colours
- Acrylic angled top shelf
- Internal shelf on the Pro unit only
- Beech and Aluminium tambour wraps also available
- Bags included

Pro unit includes shelf



Standard unit (no shelf)



hardware specifications

Overall size (h) x (w) x (d):
1300mm x 665mm x 480mm

Weight:
19kg (Standard and Pro)

Optional internal shelf size (w) x (d):
480mm x 340mm

Useable internal shelf height:
210mm

wrap specifications

Tambour Wrap dimensions (h) x (w):
(Standard) 1060mm x 1455mm
(Pro) 840mm x 1455mm (main wrap) / 210mm x 1455mm (upper wrap)

If applying a graphic to the wrap, an allowance should be made to its size to accommodate arterial type, thickness etc.

additional info

Carry bags are included



Optional extra cost accessories:
Cable management port

Lecturn (Pro) assembly



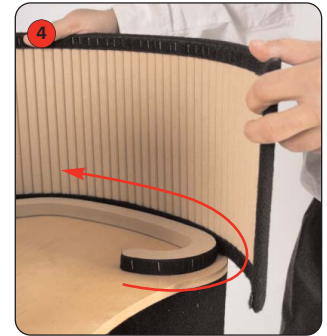
Kit includes: Top, base, internal shelf, 2 x wrap, acrylic shelf, linear post, screws, allen key



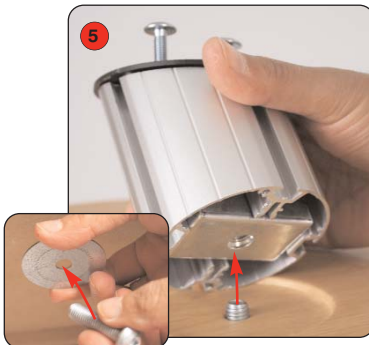
Attach the larger wrap around the base, following the mounted shape



Lower the internal shelf into the top of the wrap and secure against hook and loop.



Attach the smaller wrap to the top of the shelf, following the shape of the mount.



Insert screw and washer through underside of top and into the Linear post.



Lower acrylic shelf onto post and secure into position with screws provided.



Attach top to small wrap, feeding it around the hook and loop mount, press securely.



Lecturn assembly



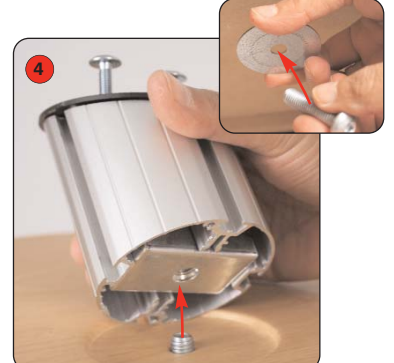
Kit includes: Top, base, wrap, acrylic shelf, linear post, screws



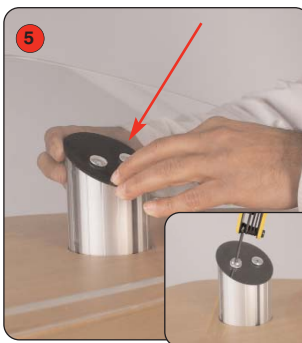
Attach the wrap around the base, following the mounted shape



Lower the top into the top of the wrap and secure against hook and loop.



Insert screw and washer through underside of top and into the Linear post.



Lower acrylic shelf onto post and secure into position with screws and allen keys provided.

